



Duo Power SV Trim Switch Installation Supplement

**Models:
SV – Side and Top Venting**

To be used in conjunction with
DUO POWER SV main appliance instructions

For use on Natural Gas (G20) at a supply pressure of 20mbar
or Propane (G31) at a supply pressure of 37mbar in GB and IE
(Dependent upon model)

**Users,
Installation & Servicing
Instructions**

MUST BE LEFT WITH THE USER

Manufacturer Contact Details:

Burley Magiglo
Lands End Way
Oakham, Rutland, LE15 6RB

Tel: +44 (0)1572 725570

Fax: +44 (0)1572 724390

General E-Mail: info@magiglo.co.uk

Web Site: www.magiglo.co.uk

Technical Support: Direct Dial on **(01572) 725570** or email: **technical@magiglo.co.uk**

Burley Magiglo Document Number:

BMF271.21

Revision Date:

23 September 2009

Copyright:

This documentation is copyrighted by Burley Magiglo. ©2009.

No part of this document may be copied, photocopied or reproduced in any form or by any means without permission in writing from Burley Magiglo.

Magiglo is a registered trademark of Burley Appliances Ltd.



Contents

1.	USER INSTRUCTIONS	1
1.1.	<i>Lighting The Main Burner (Trim Switch Control).....</i>	<i>1</i>
2.	INSTALLATION INSTRUCTIONS	3
2.1.	<i>General Dimensions.....</i>	<i>3</i>
2.2.	<i>Technical Data</i>	<i>3</i>
2.3.	<i>Appliance Location.....</i>	<i>4</i>
3.	SERVICING INSTRUCTIONS.....	5
3.1.	<i>Circuit Diagram</i>	<i>5</i>
3.2.	<i>Wiring inside Control Box.....</i>	<i>6</i>
3.3.	<i>Wiring inside Trim Switch.....</i>	<i>6</i>

This page is left intentionally blank

1. USER INSTRUCTIONS

1.1. Lighting The Main Burner (Trim Switch Control)

1. Turn the control knob fully anti-clockwise to the  (Large Flame) position (**Figure 1**).
2. Set the High/Low switch on the trim to the  (Large Flame) position (**Figure 2**).
3. To turn the fire down to a low rate, push the High/Low switch on the side of the Small Flame picture.
4. To turn the main burner off, press the **On/Off** switch at the **O** side.
5. Turning the Control knob fully clockwise to the **OFF** position will turn off the pilot.

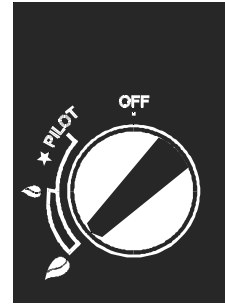


Figure 1 - Maximum Position

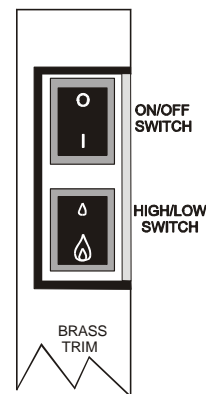


Figure 2 - Duo Power Fan Control (Side Trim)



NOTE: The main burner will not light unless the fan is switched on.

This page is left intentionally blank

2. INSTALLATION INSTRUCTIONS

2.1. General Dimensions

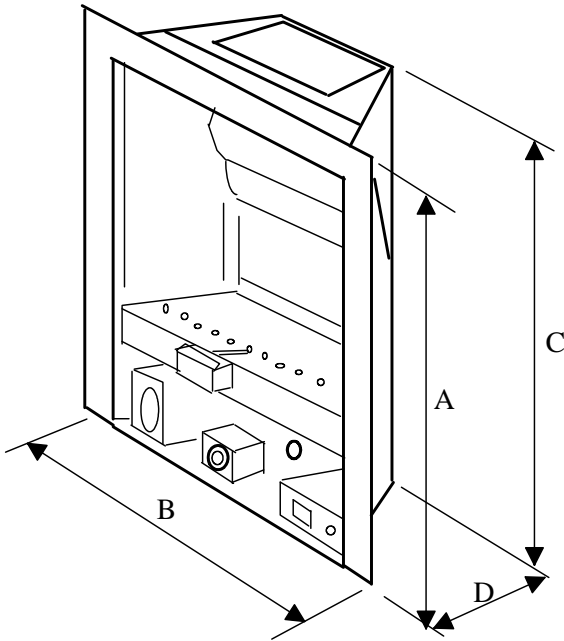


Figure 3

Trim Switch Dimensions

A	580mm
B	486mm
C	555mm
D	155mm

Table 1

2.2. Technical Data

	Natural Gas Models	LPG Models
Nominal maximum heat input	6.9 kW (gross)	6.5 kW (gross)
Setting pressure (Cold) Trim Switch Control	8.0 mbar \pm 0.2 mbar	34.0 mbar \pm 1.0 mbar
Minimum heat Input	4.0 kW (gross)	3.0 kW (gross)
Minimum setting pressure	2.1 mbar	7.0 mbar \pm 0.5 mbar
Gas	G20 (Natural Gas)	G31 (LPG)
Injector	No. 100	No. 190
Gas inlet connection	8mm	
Control valve	BM/Twin Teddington	
Pilot (S.I.T. Oxypilot)	NG9039	LPG9223
Weight	12kg	
Supply Voltage	230 V a.c.	
Supply Frequency	50 Hz	
Supply Fuse Rating	3 Amp	
Protection	IP20	

2.3. Appliance Location

The fire must be fitted on a flat non-combustible hearth. In addition, a non-combustible hearth with minimum dimensions as shown in **Figure 4** must be provided in front of the fireplace opening.

A suitable proprietary fire surround with a minimum of 150°C rating may be fitted in front of the fireplace opening.

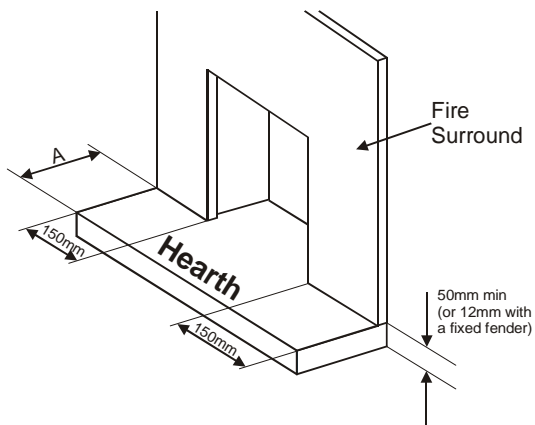


Figure 4

Dimension A	
Trim Switch Control	330mm min

Table 2

3. SERVICING INSTRUCTIONS



NOTE: The Trim Switch Model has a Twin Solenoid rather than the standard single solenoid.

3.1. Circuit Diagram

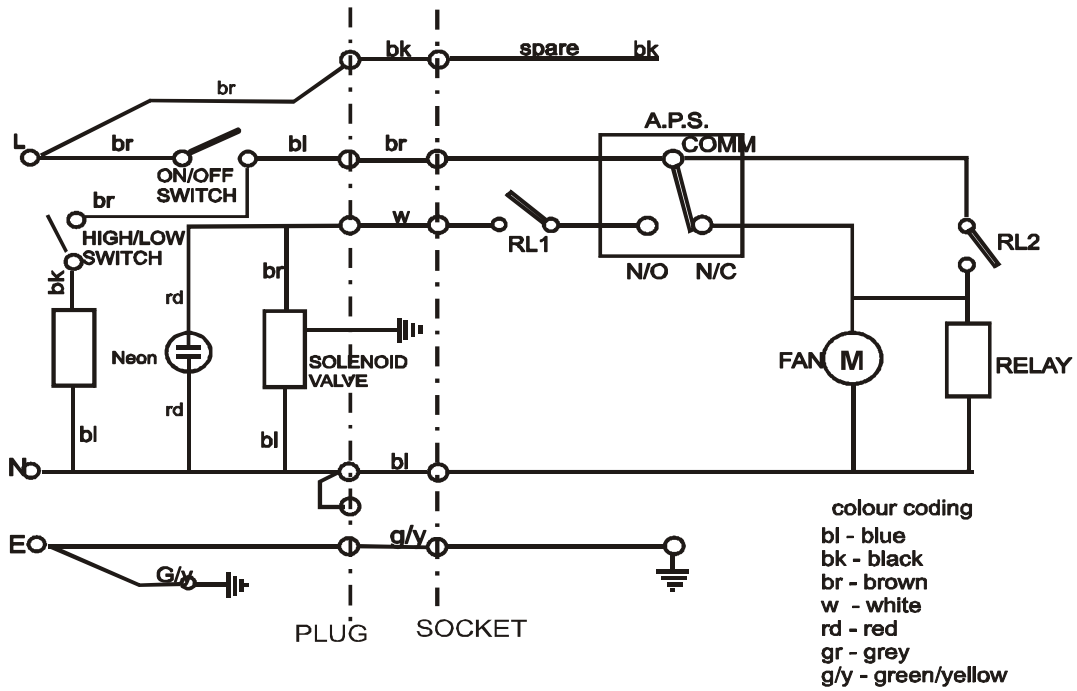


Figure 5 – Circuit Diagram (Trim Switch Control Models)

3.2. Wiring inside Control Box

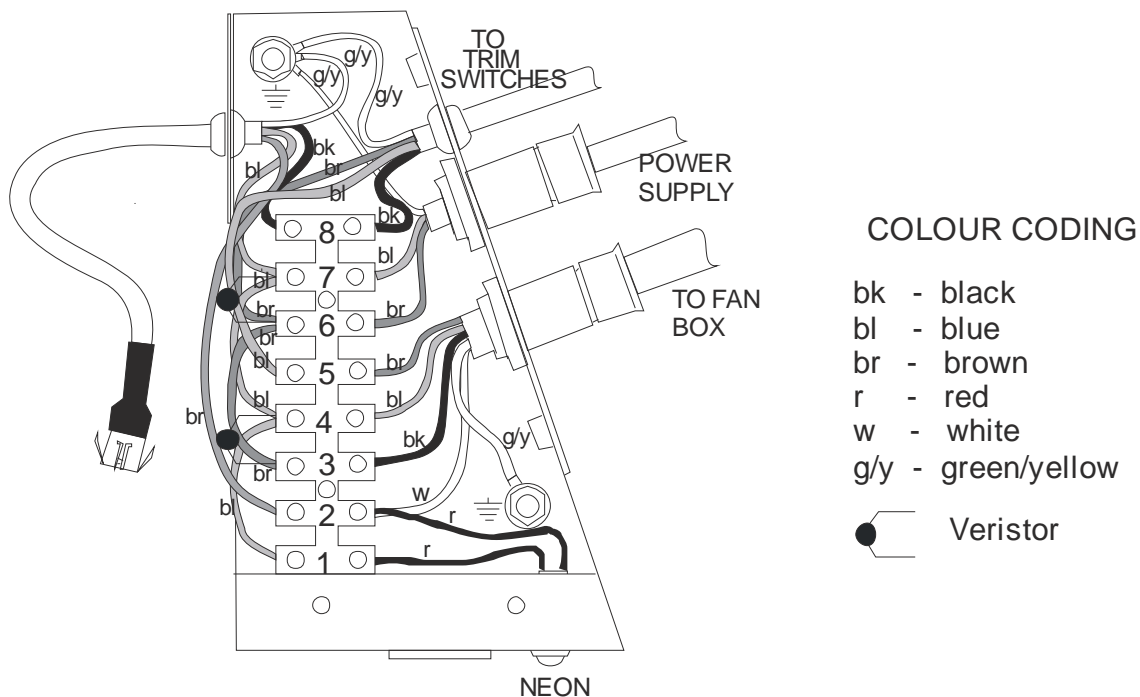


Figure 6 - Wiring inside Control Box (Trim Switch Control Models)

3.3. Wiring inside Trim Switch

colour coding

- br - brown
- bl - blue
- bk - black
- g/y - green/yellow

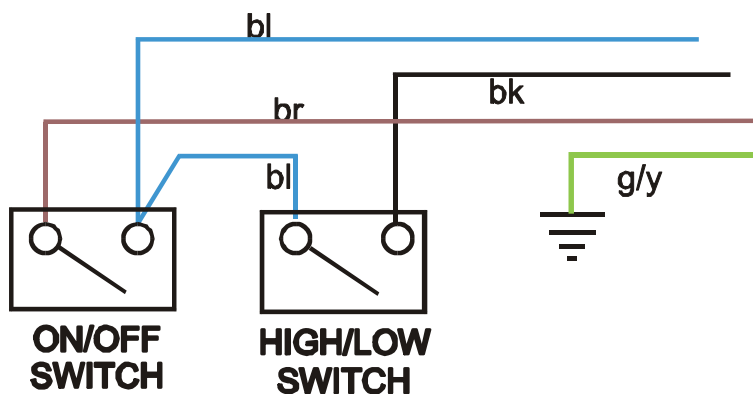


Figure 7

This page is intentionally left blank



Burley Magiglo fires are protected by
UK patents 2193802, 2240620 and 2256920
Other Patents Pending

Magiglo is a registered trademark of Burley Appliances Ltd.



Burley Magiglo, Lands End Way
Oakham, Rutland, LE15 6RB

Tel: 01572 725570 Fax: 01572 724390
www.magiglo.co.uk Email: info@magiglo.co.uk